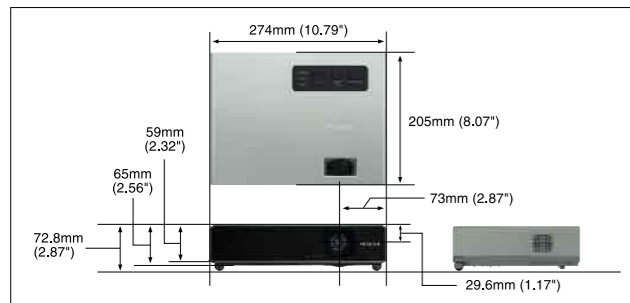


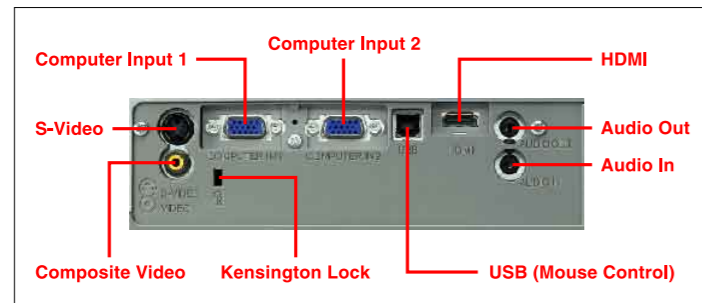
## SPECIFICATIONS

Model name	CPX3	
Liquid crystal panel structure	0.59" (1.5cm) polysilicon active-matrix TFT x 3	
Number of pixels	1,024,000 pixels (V800 x H1,280)	
Resolution	1,280 x 800 color pixels	
Lens	Manual zoom (F=1.7-1.9) 1:1.2	
Lamp	190W UHP	
Brightness	2,000 ANSI Lumens	
Contrast ratio	500:1	
Speakers	1W mono	
Keystone correction	Auto Vertical Keystone	
Power supply	AC100-120V/AC220-240V	
Operating temperature	5-35°C (41-95°F)	
Input signals	Computer input	VGA, SVGA, XGA, WXGA, SXGA, SXGA+, UXGA, MAC16"
	Video input	NTSC, NTSC4.43, PAL, SECAM, M-PAL, N-PAL HDTV: 750p (720p), 1125i (1080i) SDTV: 525i (480i), 525p (480p), 625i (576i)
Input/output terminals	Video input	S-Video: Jack x 1, Composite video: RCA jack x 1 Component video: via D-sub
	Audio input	Stereo Mini jack x 1
	Computer input	Analog RGB: 15-pin Mini-Dsub x 2
	Digital input	HDMI x1
	Audio output	Stereo Mini jack x 1
	Control and mouse	USB type B x 1 for mouse control
Agency certifications	UL60950-1/C-UL, FCC Part 15, class B, AS/NZS CISPR22 class B, CE,	
Dimensions (WxHxD)	274 x 59 x 205mm (10.79" x 2.32" x 8.07") [excl. protruding part]	
Weight	1.7kg (3.9 lbs.)	
Standard accessories	RGB cable, Remote Control, Batteries, Lens cap, Strap, Soft case, Filter cover (for ceiling mounting), Power cord, Security label, 14-language user's manual	

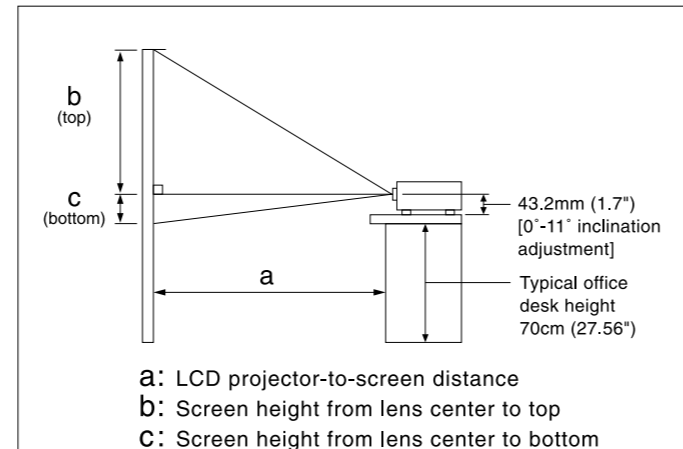
## DIMENSIONS



## TERMINALS



## PROJECTION DISTANCE



Screen Size (inch) [16:10 screen]	a Min	a Max	b (top)	c (bottom)
30	0.9m (37")	1.1m (45")	40cm (16")	0cm (0")
40	1.3m (50")	1.5m (60")	54cm (21")	0cm (0")
50	1.6m (62")	1.9m (75")	67cm (26")	0cm (0")
60	1.9m (75")	2.3m (90")	81cm (32")	0cm (0")
70	2.2m (88")	2.7m (106")	94cm (37")	0cm (0")
80	2.6m (101")	3.1m (121")	108cm (42")	0cm (0")
90	2.9m (113")	3.5m (136")	121cm (48")	0cm (0")
100	3.2m (126")	3.8m (151")	135cm (53")	0cm (0")
120	3.8m (151")	4.6m (182")	162cm (64")	0cm (0")
150	4.8m (189")	5.8m (228")	202cm (79")	0cm (0")
200	6.4m (253")	7.7m (304")	269cm (106")	0cm (0")
250	8.0m (316")	9.6m (380")	337cm (132")	0cm (0")
300	9.6m (380")	11.6m (456")	404cm (159")	0cm (0")

• Tolerance ±10% • Final specifications may vary slightly.



• Design and specifications are subject to change without notice.

- The screen and monitor images and comparison photos in this catalog are simulations.
- LCD panels, polarizers and other optical components and cooling fans may need replacement after prolonged usage. For more details, please consult a Hitachi sales representative.
- Do not use in places where there is a lot of water, dampness, steam, dust, soot or tobacco smoke. This may result in fire or malfunction.
- Optical components (lamp, LCD panel, polarizing plate, PBS [polarizer beam splitter], contrast-up film) have limited service lives. They must be repaired or replaced if they are used for a long period of time.
- These projectors use a mercury lamp with high internal pressure. Because of its properties, this lamp may burst with a loud noise or burn out if struck or after it has been used for a period of time. The time until it bursts or burns out varies greatly according to differences between lamps and usage conditions. Turning the lamp's power on and off frequently shortens its service life.
- Optical components other than the lamp: If the projector is used for six hours or more per day, they may need to be replaced in less than a year.
- LCD panel: If the projector is used continuously for six hours or more, its replacement cycle may be shortened.
- Do not turn projector on again for ten minutes after shutdown. Neglect can shorten the lifetime of the lamp. During use and immediately after use, do not touch anywhere near the lamp and the vents as these parts are extremely hot.
- HDMI, the HDMI logo and High-Definition Multimedia Interface are trademarks or registered trademarks of HDMI Licensing LLC.



Hitachi, Ltd. Consumer Business Group has received ISO 14001 certification.

## HITACHI

**Hitachi America, Ltd. Ubiquitous Platform System Division** 900 Hitachi Way, Chula Vista, CA91914-3556, U.S.A. Tel: +1-800-HITACHI Fax: +1-619-591-5418 [www.hitachi.us/digitalmedia](http://www.hitachi.us/digitalmedia)  
**Hitachi Canada Ltd.** 2495 Meadowpine Blvd. Mississauga, Ontario L5N6C3, Canada Tel: +1-905-821-4545 Fax: +1-905-821-1101 [www.hitachi.ca](http://www.hitachi.ca)  
**Hitachi Home Electronics Asia (S) Pte. Ltd.** 438A Alexandra Road #01-01/02/03, Alexandra Technopark, Singapore 119967 Tel: +65-6536-2520 Fax: +65-6536-2521 [www.hitachiconsumer.com.sg](http://www.hitachiconsumer.com.sg)  
**Hitachi Sales (Malaysia) Sdn. Berhad** (11543-V) Lot 12, Jalan Kemajuan, Bangi Industrial Estate, 43650 Bandar Baru Bangi, Selangor Darul Ehsan, Malaysia. Tel: +60-3-8926-4168 Fax: +60-3-8926-3013 [www.hitachiconsumer.com.my](http://www.hitachiconsumer.com.my)  
**Hitachi Sales (Thailand), Ltd.** 994 Soi Thonglor, Sukhumvit 55 Road, Klongtonnua, Vadhana Bangkok 10110, Thailand Tel: +66-2381-8381-98 Fax: +66-2381-0210/2381-0021 [www.hitachi-th.com](http://www.hitachi-th.com)  
**Hitachi (Hong Kong), Ltd.** 18th Floor, Ever Gain Centre, 28 On Muk Street, Shatin, N.T., Hong Kong Tel: +852-2113-8883 Fax: +852-2783-4178 [www.hitachi-hk.com.hk](http://www.hitachi-hk.com.hk)  
**Hitachi Sales Corp. of Taiwan** 2nd Floor, No.65, Nanking East Road, Section 3, Taipei 104, Taiwan Tel: +886-2-2516-0500 Fax: +886-2-2516-1501 [www.hsct.com.tw](http://www.hsct.com.tw)  
**Hitachi Australia Pty Ltd.** Level 3, 82 Waterloo Road, North Ryde, NSW 2113, Australia Tel: +61-2-9888-4100 Fax: +61-2-9888-4188 [www.hitachi.com.au](http://www.hitachi.com.au)  
**Hitachi Europe Ltd.** Whitebrook Park, Lower Cookham Road, Maidenhead, Berkshire, SL6 8YA, UK Tel: +44-1628-643000 Fax: +44-1628-643404 [www.hitachidigitalmedia.com](http://www.hitachidigitalmedia.com)

Printed in Japan (H) NM-E323 0308

Upgrade your business presentations with this high performance, portable projector.

WXGA Portable LCD Projector

# CPX3

Real WXGA

1.7kg (3.9 lbs.)

2,000 ANSI Lumens

## Wide Screen Compatibility

In order to provide full support for the 1,280 x 800 resolution output of most computers, the CPX3 uses a WXGA (1,280 x 800) LCD panel. It can display beautiful images without resizing your computer image for the wide screen.



## Very Light Weight

Weighing only 1.7kg (3.9 lbs.), this projector can be carried with no trouble. The flat design is convenient too: you can carry it in one hand and easily take it out and put it into its bag. Yet even with this compact size, it puts out 2,000 ANSI lumens of brightness, so you can give presentations in bright rooms.



## HDMI Input

The CPX3 has an HDMI input terminal for receiving digital video signals with no loss in quality. By keeping the signal in the digital domain, it projects high quality images that are faithful to the original signal.



## Short Throw Distance

With its wide angle lens, the CPX3 provides a short throw of 1.9m (6.2 ft.) onto a large 60" screen. It lets you make powerful presentations on large screens, even in small conference rooms.



A wide range of functions in a compact package help you achieve successful presentations.

WXGA Portable LCD Projector

# CPX3



### 3-Second Quick Start

The CPX3 starts in approximately 3 seconds\* from power on to projection. You can start your presentation promptly without keeping your audience waiting.

\* Time until start of projection. Depending on power restart time and settings, start time may be longer.

### Direct Power On/Off

The Direct Power On/Off function\* eliminates the need for cooldown after using the projector. After turning the power off, you can put the projector away immediately.

\* The Direct Power On function must be selected from the menu.

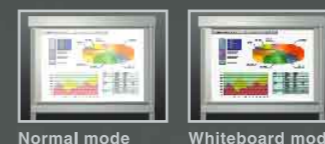
### Template Function

When projecting onto a whiteboard, blackboard and so on, this function projects lines, making writing on the board easier. Various types of line patterns can be selected.



### Whiteboard and Blackboard Modes

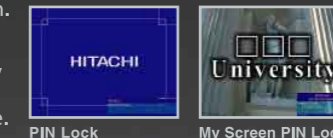
In rooms with no screen, the CPX3 can project onto a whiteboard or blackboard. In Whiteboard mode, the white signal is only half as bright, ensuring optimum visibility. The Blackboard mode is compatible with both black and green blackboards.



Normal mode Whiteboard mode

### PIN Lock and My Screen PIN Lock

PIN Lock protection limits the number of people who can use the projector. My Screen PIN Lock allows a personalized image to be used as the startup screen. Using a school name or company logo, for example, makes it clear who owns the projector to prevent misuse.



PIN Lock My Screen PIN Lock

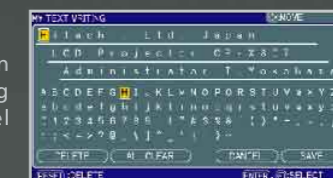
### Transition Detector

This Hitachi security function is engaged when the projector angle or setting are changed from the installed position. Even if someone takes the projector without authorization, that person cannot use it.



### My Text

My Text lets you put text on the startup screen according to your needs, such as model name, serial number or location information.



### Daytime Mode

Projected images may sometimes be difficult to see under bright lighting. The Daytime mode uses image quality correction technology to counter the effects of light, ensuring clear, vivid images.



Normal mode Daytime mode

### Multi-function Remote Control

The My Button and My Source buttons on the remote control give you fast access to frequently used functions and sources. Doc. Camera and Vol. Up/Down buttons are also provided.



### Audio Pass Through

Audio can be output in stand-by mode, allowing you to listen to external speakers via the projector's audio output. This saves lamp life when you only need sound.

### Low Noise of 33dBA (Whisper Mode)

The projector achieves a low noise level of 33dBA in Whisper mode. This makes it easy to give lessons or presentations in small size classrooms or conference rooms without any worry about fan noise.

### Other Features

- Auto Vertical Keystone Correction
- Input Source Naming • Motion Adaptive Progressive Scan
- 3:2 Pull Down • Noise Reduction
- Hitachi Equalizing Gamma Function • My Screen
- Security Label Included • Serial # Label on Side
- Lamp Door on Top